

JFC CORE 400 T2 UN CONFORT (274400188ST)

GENERAL DATA



LONG CASE CONFORT AXIAL FAN

MANUFACTURING FEATURES:

- Long case axial fan with reinforced body.
- Modular motor-impeller assembly. Polyamide impeller with variable pitch angle. Polyester powder finishing coat.
- Housing with motor access door for easy connection.
- Standard asynchronous squirrel-cage motor with IP-55 protection and Class F. Manufactured with standard voltages: 230/400V 50Hz) for 1 speed motors and 400V 50Hz for 2 speed motors.

APPLICATIONS:

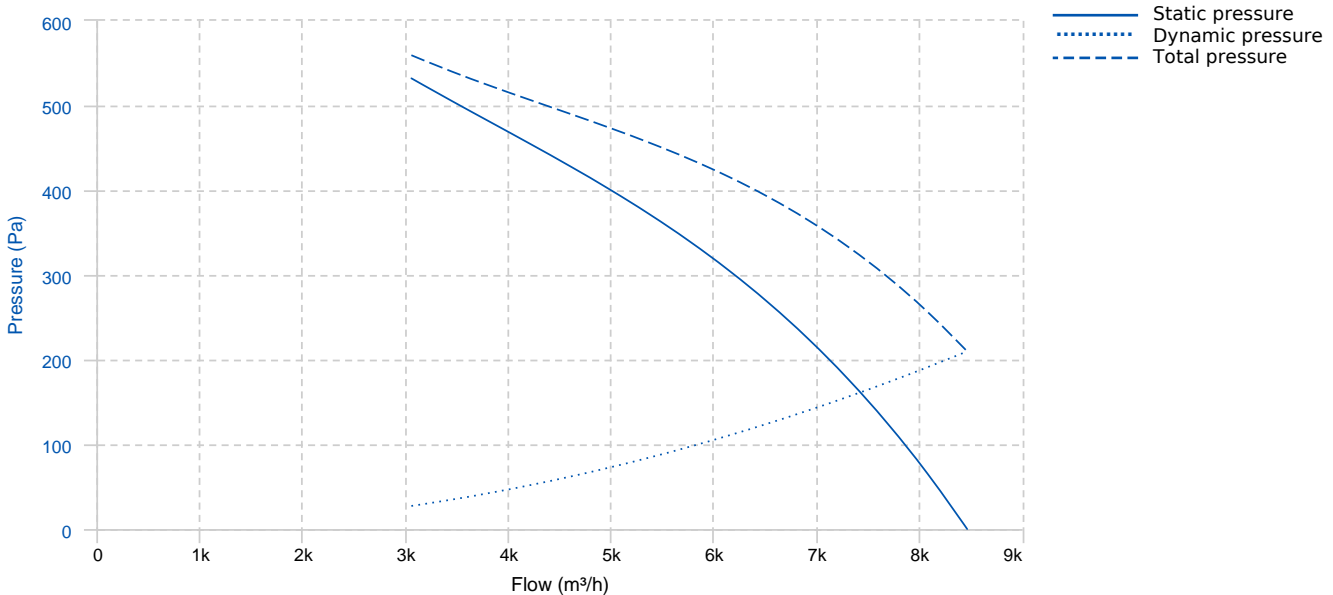
Designed for inline installation, they are suitable for:

- Smoke emergency exhaust with motor inside the hazardous area.
- Maximum working temperature: 60°C.

UNDER REQUEST:

- Supply impeller (air direction from impeller to motor).
- 100% reversible impeller.
- Cast aluminium impeller

PERFORMANCE CURVE



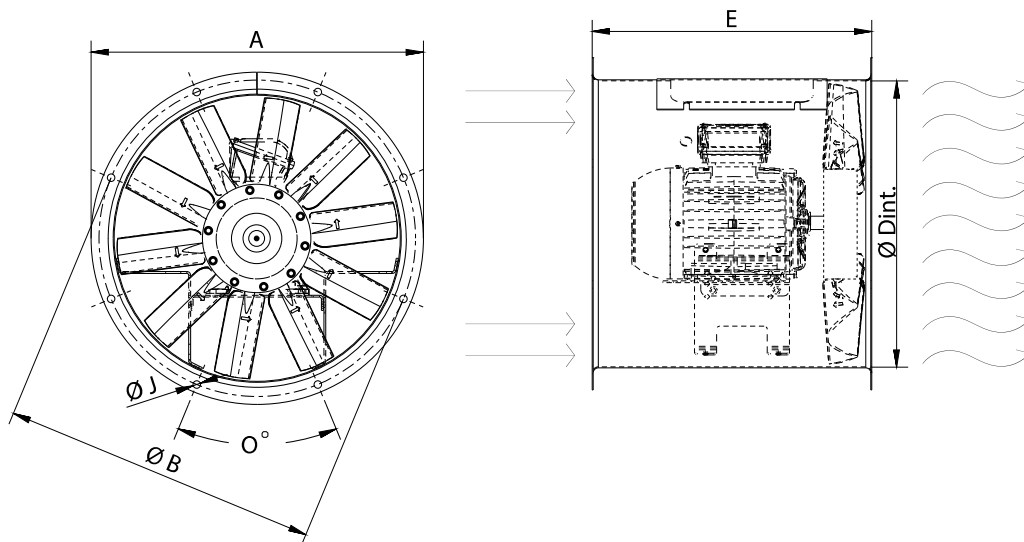
TECHNICAL DATA

| Fan | | | | | | | |
|-------|--------|----------------|-------|---------------|-----------|------|----|
| RPM | 2860 | Approx. weight | 47 kg | Max. Flow | 8460 m³/h | | |
| Motor | | | | | | | |
| Power | 1,1 kW | RPM | 2860 | I max. (400V) | 2,39 A | Size | 80 |

Motor

| | | | | | |
|----------------|-------|----------------|--------|----|------|
| Approx. weight | 14 kg | Efficiency (%) | 80.5 % | FP | 0.85 |
|----------------|-------|----------------|--------|----|------|

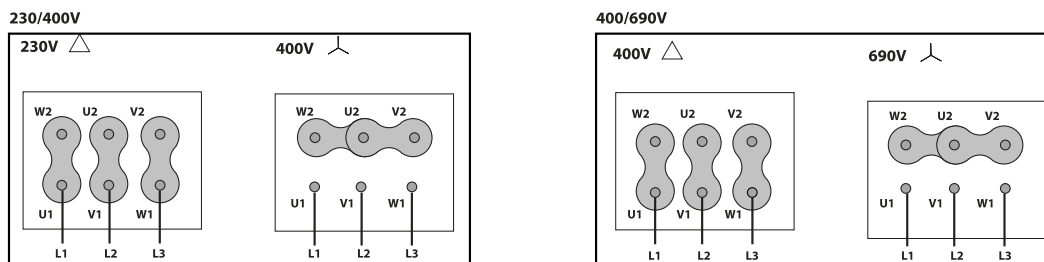
DIMENSIONS



Dimensions (mm)

| | | | | | | | | | |
|----|-----|---|-----|---|----|---|-------|----|-----|
| A | 472 | E | 425 | J | 10 | O | 8x45° | ØB | 450 |
| ØD | 401 | | | | | | | | |

WIRING DIAGRAM



ACCESSORIES



**CEILING ANTI-VIBRATION
AVT (GENERIC)**